

OnePak™ Integrated Camera/Lens/Dome Housing Line

SANYO OnePak™ In-Ceiling Dome Series

Key Features

- Integrated Camera, Varifocal Lens, and Dome Housing Package
- High-Resolution Color Camera
- Choice of 2.8-12 mm or 5.0-50 mm Varifocal Lenses
- Innovative 3-pivot Camera Adjustment System for full 360° Pan and 180° Tilt Positioning
- Concealed Camera with Minimal F-stop Loss
- Dome or Flat Viewing Window Versions
- Black or White Trim Ring Versions
- Quick-Latch Mount for Sheet Rock and Drop Ceilings
- Plenum Rated Durable Aluminum Back Box with Conduit Access
- Perfect for Casino, Business, and Retail Applications
- Plug & Play for Easy Installation
- 3-Year Warranty



Sanyo OnePak™ Dome Series

INTEGRATED CAMERA/LENS/
DOME HOUSING LINE

High Resolution Color/Manual Iris Vari-focal Models

MODEL	DESCRIPTION	CAMERA	LENS	WINDOW	RING
VSE-P6361DSBMA	520TVL Color Camera, 2.8-12mm MI Vari-focal Lens, 6" Fixed Dome Housing, Smoked, In-Ceiling, Black Trim Ring	VCC-5884	SVCL-CS2812VM	Smoked Dome	Black
VSE-P6361DSWMA	520TVL Color Camera, 2.8-12mm MI Vari-focal Lens, 6" Fixed Dome Housing, Smoked, In-Ceiling, White Trim Ring	VCC-5884	SVCL-CS2812VM	Smoked Dome	White
VSE-P6362DSBMA	520TVL Color Camera, 5.0-50mm MI Vari-focal Lens, 6" Fixed Dome Housing, Smoked, In-Ceiling, Black Trim Ring	VCC-5884	SVCL-CS550VM	Smoked Dome	Black
VSE-P6362DSWMA	520TVL Color Camera, 5.0-50mm MI Vari-focal Lens, 6" Fixed Dome Housing, Smoked, In-Ceiling, White Trim Ring	VCC-5884	SVCL-CS550VM	Smoked Dome	White

High Resolution Color/Auto Iris Vari-focal Models

MODEL	DESCRIPTION	CAMERA	LENS	WINDOW	RING
VSE-P6361DSBA	520TVL Color Camera, 2.8-12mm DC AI Vari-focal Lens, 6" Fixed Dome Housing, Smoked, In-Ceiling, Black Trim Ring	VCC-5884	SVCL-CS2812VA	Smoked Dome	Black
VSE-P6361DSWA	520TVL Color Camera, 2.8-12mm DC AI Vari-focal Lens, 6" Fixed Dome Housing, Smoked, In-Ceiling, White Trim Ring	VCC-5884	SVCL-CS2812VA	Smoked Dome	White
VSE-P6362DSBA	520TVL Color Camera, 5.0-50mm DC AI Vari-focal Lens, 6" Fixed Dome Housing, Smoked, In-Ceiling, Black Trim Ring	VCC-5884	SVCL-CS550VA	Smoked Dome	Black
VSE-P6362DSWA	520TVL Color Camera, 5.0-50mm DC AI Vari-focal Lens, 6" Fixed Dome Housing, Smoked, In-Ceiling, White Trim Ring	VCC-5884	SVCL-CS550VA	Smoked Dome	White

CALL FACTORY FOR OTHER AVAILABLE CONFIGURATIONS!

ELECTRICAL SPECIFICATIONS:

Imager: 1/3" Format, Interline Transfer CCD, **Video Output:** 1.0 V p-p, 75 ohms.

White Balance: Auto-sensing, **Synchronization:** Line Lock

Horizontal Resolution, Minimum Scene Illumination, BLC, and S/N:

MODEL	HORIZONTAL RESOLUTION	MIN SCENE ILLUMINATION	BACK LIGHT COMPENSATION	S/N
VSE-P6361xxxA Series	520 TVL	1.0 Lux @ F1.2	Center Zone	>50 dB
VSE-P6362xxxA Series	520 TVL	1.0 Lux @ F1.2	Center Zone	>50 dB
VSE-P6361xxxMA Series	520 TVL	1.0 Lux @ F1.2	Center Zone	>50 dB
VSE-P6362xxxMA Series	520 TVL	1.0 Lux @ F1.2	Center Zone	>50 dB

Lens Type, Range, and Aperture:

MODEL	TYPE	RANGE	APERTURE
VSE-P6361xxxA Series	DC Auto Iris	2.8 to 12 mm	F1.4 ~ 360
VSE-P6362xxxA Series	DC Auto Iris	5.0 to 50 mm	F1.4 ~ 185
VSE-P6361xxxMA Series	Manual Iris	2.8 to 12 mm	F1.4 ~ Close
VSE-P6362xxxMA Series	Manual Iris	5.0 to 50 mm	F1.8 ~ Close

Voltage and Power Ratings:

MODEL	VOLTAGE	POWER
VSE-P6361xxxA Series	24V AC, 60 Hz or 12 V DC	4.0 W
VSE-P6362xxxA Series	24V AC, 60 Hz or 12 V DC	4.0 W
VSE-P6361xxxMA Series	24V AC, 60 Hz or 12 V DC	4.0 W
VSE-P6362xxxMA Series	24V AC, 60 Hz or 12 V DC	4.0 W

Specifications subject to change without notice. © 2005 SANYO Security Products

MECHANICAL SPECIFICATIONS:

Window: Acrylic

Camera Mounting: A two-arm camera support bracket, adjustable forward and backward, is included with each unit.

Construction: Housing is constructed of aluminum. The lower domed window has a silk-screened window with a lightly tinted viewing area. The lower flat window is lightly tinted with no silk screened areas.

Dimensions: See Drawings

Weight (approx.):

VSE-P6361xxxA Series: 3.8 lbs. (1.7 kg)

VSE-P6362xxxA Series: 3.8 lbs. (1.7 kg)

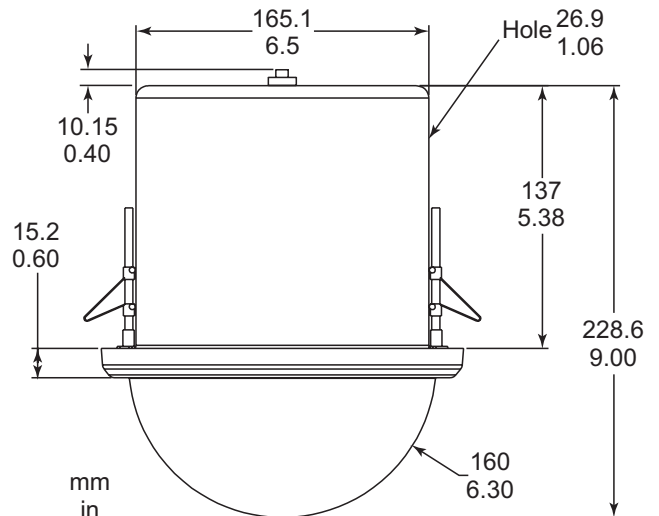
VSE-P6361xxxMA Series: 3.8 lbs. (1.7 kg)

VSE-P6362xxxMA Series: 3.8 lbs. (1.7 kg)

ELECTROMAGNETIC COMPATIBILITY:

EMC Requirements: FCC Class A

Safety: UL, cUL, CE.



Ask About our other great SANYO Products!

- Day/Night Cameras
 - VCC-4594
- 520 TVL Color Cameras
 - VCC-6594
 - VCC-6584
- 8-Hour half size VCR's
 - SRC-850A
 - SRC-800A
- 24-Hour half size VCR's
 - SRT-4040
- Multi-Channel DVR's
 - DSR-3016Hxxx
 - DSR-3009Hxxx
- Single Channel DVR
 - DSR-300Rxxx
- Casino DVR
 - DSR-M810Hxxx
 - DSR-M814Hxxx



SANYO

SANYO Security Products
21605 Plummer Street
Chatsworth, CA 91311
Phone: (888) 893-7403
Fax: (888) 818-2597
Technical Support: (888) 66-SANYO
www.sanyocctv.com